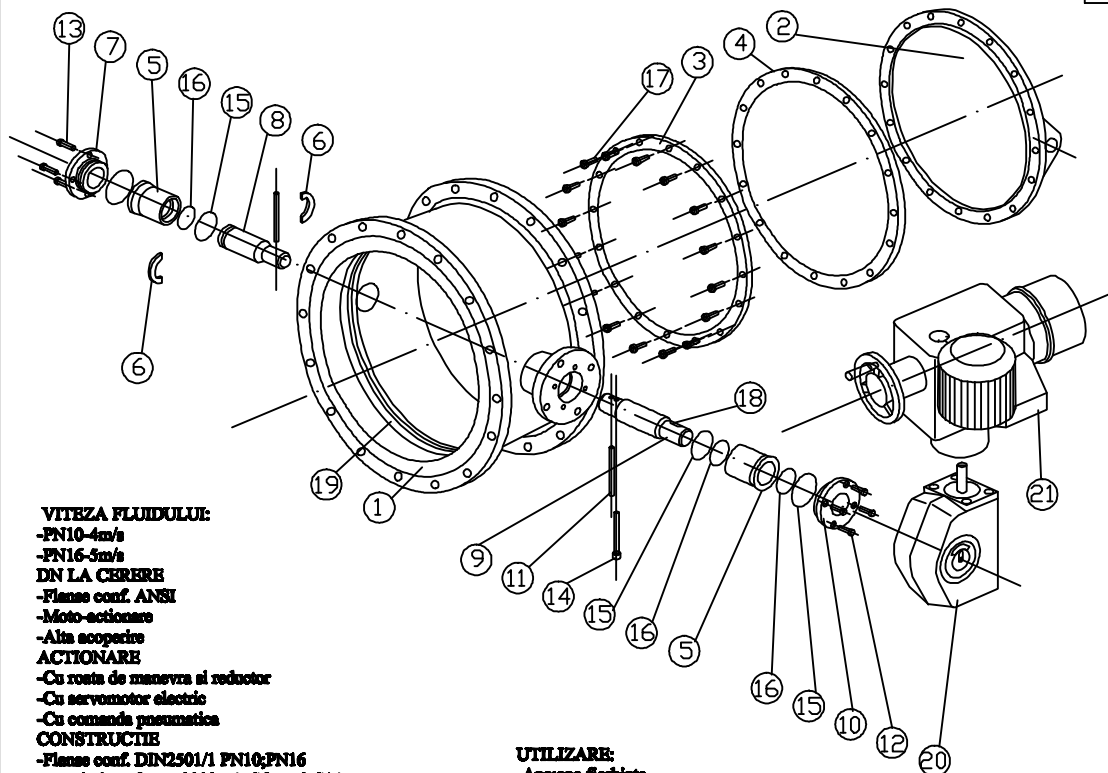


| DN | Corp | | | | | | | Flansa | | | | | | Greut. PN10 kg | |
|------|------|------|------|------|-----|------|------|--------|------|-------|------|------|-------|-------------------|------|
| | L | A | B | C | E | F | H1 | PN16 | | | PN10 | | | | D1 |
| 150 | 210 | 150 | 280 | 230 | - | - | - | 285 | 240 | 8x22 | 285 | 240 | 8x22 | 315 | 45 |
| 200 | 230 | 225 | 390 | 300 | - | - | - | 340 | 295 | 12x22 | 340 | 295 | 8x22 | 315 | 80 |
| 250 | 250 | 240 | 425 | 336 | - | - | - | 400 | 355 | 12x26 | 400 | 350 | 12x22 | 315 | 110 |
| 300 | 270 | 260 | 450 | 360 | - | - | - | 455 | 410 | 12x26 | 455 | 400 | 12x22 | 315 | 140 |
| 350 | 290 | 285 | 475 | 385 | - | - | - | 520 | 470 | 16x26 | 505 | 460 | 16x22 | 315 | 180 |
| 400 | 310 | 340 | 560 | 450 | 120 | 200 | 290 | 580 | 525 | 16x30 | 565 | 515 | 16x26 | 315 | 240 |
| 500 | 350 | 405 | 630 | 520 | 150 | 250 | 350 | 715 | 650 | 20x33 | 670 | 620 | 20x26 | 400 | 370 |
| 600 | 390 | 500 | 755 | 623 | 180 | 300 | 400 | 840 | 770 | 20x36 | 780 | 725 | 20x30 | 400 | 560 |
| 700 | 430 | 570 | 815 | 685 | 210 | 350 | 460 | 910 | 840 | 24x36 | 895 | 840 | 24x30 | 400 | 700 |
| 800 | 470 | 635 | 905 | 765 | 250 | 460 | 520 | 1025 | 950 | 24x39 | 1015 | 950 | 24x33 | 400 | 1120 |
| 900 | 510 | 725 | 1030 | 885 | 280 | 500 | 570 | 1125 | 1050 | 28x39 | 1115 | 1050 | 28x33 | 400 | 1380 |
| 1000 | 550 | 815 | 1205 | 970 | 320 | 600 | 630 | 1255 | 1170 | 28x42 | 1230 | 1160 | 28x36 | 400 | 1950 |
| 1200 | 630 | 900 | 1295 | 1060 | 380 | 720 | 700 | 1485 | 1390 | 32x48 | 1455 | 1380 | 32x39 | 500 | 2450 |
| 1400 | 710 | 1030 | 1425 | 1190 | 450 | 840 | 850 | 1685 | 1590 | 36x48 | 1675 | 1590 | 36x42 | 500 | 3250 |
| 1600 | 790 | 1130 | 1525 | 1290 | 520 | 950 | 980 | 1930 | 1820 | 40x56 | 1915 | 1820 | 40x48 | 600 | 4240 |
| 1800 | 870 | 1230 | 1625 | 1445 | 600 | 1050 | 1120 | 2130 | 2020 | 44x56 | 2115 | 2020 | 44x48 | 600 | 5750 |
| 2000 | 950 | 1330 | 1725 | 1600 | 620 | 1100 | 1225 | 2345 | 2230 | 48x62 | 2325 | 2230 | 48x48 | 600 | 7940 |



VITEZA FLUIDULUI:

- PN10-4m/s
- PN16-5m/s
- DN LA CERRERE**
- Flansa conf. ANSI
- Moto-actiunare
- Alta acoperire

ACTIUNARE

- Cu roata de manevra si reductor
- Cu servomotor electric
- Cu comanda pneumatica

CONSTRUCTIE

- Flansa conf. DIN2501/1 PN10/PN16
- Lungimi conf. DIN3202 F4 ISO5752-S14

ACOPERIRE

- Interior/exterior pudra epoxy RAL 5010 grosime 200 µm

UTILIZARE:

- Ape/ape fierbinte
- Vapori saturati
- Produse petrolice
- Alte fluide compatibile cu materialele robinetului

- SCAUN:**
- Bronz(Alama)/NBR/EPDM
 - Otel inox/NBR/EPDM

TEMPERATURA:

- NBR: T° max.110°C
- EPDM: T° max.120°C
- VITON: T° max.180°C

TESTE HIDRAULICE:

- Test hidraulic DIN3230 ISO5208
- Rezistenta: 1.5xPN
- Etansare: 1.1xPN

| 21 | Mecanism actiunare | - |
|------|---------------------|----------------|
| 20 | Reductor | - |
| 19 | Somn | Otel inox |
| 18 | Pana | Otel carbon |
| 17 | Surub | Otel inox |
| 16 | Inel "O" | NBR |
| 15 | Inel "O" | NBR |
| 14 | Surub | Otel carbon |
| 13 | Surub | Otel carbon |
| 12 | Surub | Otel carbon |
| 11 | Stift | Otel inox |
| 10 | Capac frontal | GJS400-15 |
| 9 | Ax principal | Otel inox |
| 8 | Ax secundar | Otel inox |
| 7 | Capac secundar | Bronz |
| 6 | Semi-inel de oprire | Bronz |
| 5 | Lagar | Bronz |
| 4 | Inel etansare | NBR/EPDM/VITON |
| 3 | Inel de legatura | GJS400-15 |
| 2 | Clapa | GJS400-15 |
| 1 | Corp | GJS400-15 |
| Rep. | Name | Material |

Desenat: O. S.

ROBINET FLUTURE EXCENTRIC

Verificat:
S.S

**EUDIS
VALVES**

ACTIONAT CU REDUCTOR

NUME FISIER:
Fig.6.20 RO

DN 150-2000

PN 10/16

DATA: 23.04.2008

EUDIS S.A

Fig.6.20