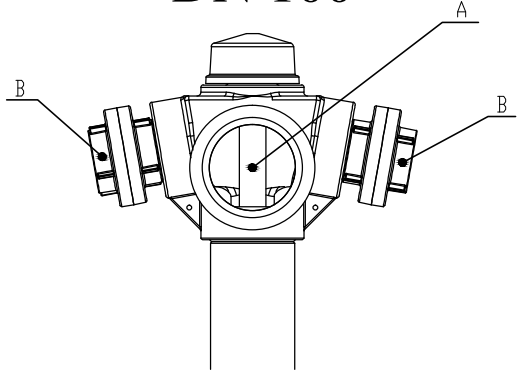


DN 100



RACORDURI:
 - Racord tip A - 4"
 - Racord tip B - 3"

CONSTRUCTIE:
 - Flanse dimensionate DIN 2501/1, PN10/16
 - Teste hidraulice: DIN 3230
 - Corp 1.5xPN
 - Vopsire EPOXY, RAL min.250μ
 - Protectie la inghet cu golire 100%

LIMITE DE UTILIZARE:
 - Temperatura maxima de utilizare 70°C
 - Racordari de suprafata a sistemelor de apa pentru aplicatii P.S.I.

DN (mm)	H (mm)	H1 (mm)	h (mm)	Greut. (kg)
80	1850	850	1000	58
	2100	850	1250	62
	2350	850	1500	68
100	1850	850	1000	69
	2100	850	1250	76
	2350	850	1500	83

35	Surub	Otel carbon Gr.8 (zincat)
34	Ax2	Otel inox
33	Capac roata	Fonta cenusie GJL-250 / Fonta ductila GGG50
32	Bucsa	Alama
31	Garnitura O-ring	Cauciuc NBR
30	Surub	Otel carbon Gr.8.8 (zincat)
29	Piulita	Otel carbon Gr.8 (zincat)
28	Capac	Aluminiu
27	Piesa mobila	Aluminiu
26	Garnitura 2	Cauciuc NBR
25	Garnitura 1	Cauciuc NBR
24	Garnitura	PTFE
23	Piesa racord fix	Aluminiu
22	Lant	Otel carbon (zincat)
21	Corp 2	Fonta cenusie GJL-250 / Fonta ductila GGG50
20	Prelungitor teava 2	Fonta cenusie GJL-250 / Fonta ductila GGG50
19	Teava interioara	Otel inox (zincat)
18	Surub	Otel carbon Gr.8.8 (zincat)
17	Piulita	Otel carbon Gr.8 (zincat)
16	Garnitura O-ring	Cauciuc NBR
15	Distantier	-
14	Corp fixare teava	Fonta cenusie GJL-250 / Fonta ductila GGG50
13	Piulita de retinere	Otel Carbon (zincat)
12	Inel	Alama
11	Adaptor	Otel carbon (zincat)
10	Ax 1	Otel inox
9	Surub M8x12	Otel carbon (zincat)
8	Piulita	CuZn36
7	Bucsa	Otel carbon (zincat)
6	Prelungitor teava	Otel carbon
5	Teava	Otel carbon
4	Garnitura	Alama
3	Stift	Otel carbon
2	Ventil	Fonta cenusie GJL-250 / Fonta ductila GGG50
1	Corp inferior	Fonta cenusie GJL-250 / Fonta ductila GGG50
REP	DENUMIRE	MATERIAL

Desenat: FIV	HIDRANT SUPRATERAN		Verificat: S.S.
EUDIS VALVES	FONTA CENSUSIE GJL-250 / FONTA DUCTILA GGG50		NUME FISIER: Fig.14.20 Ro
	DN 80 - 100	PN 10/16	DATA: 16.09.2019
	EUDIS S.A		Fig 14.20