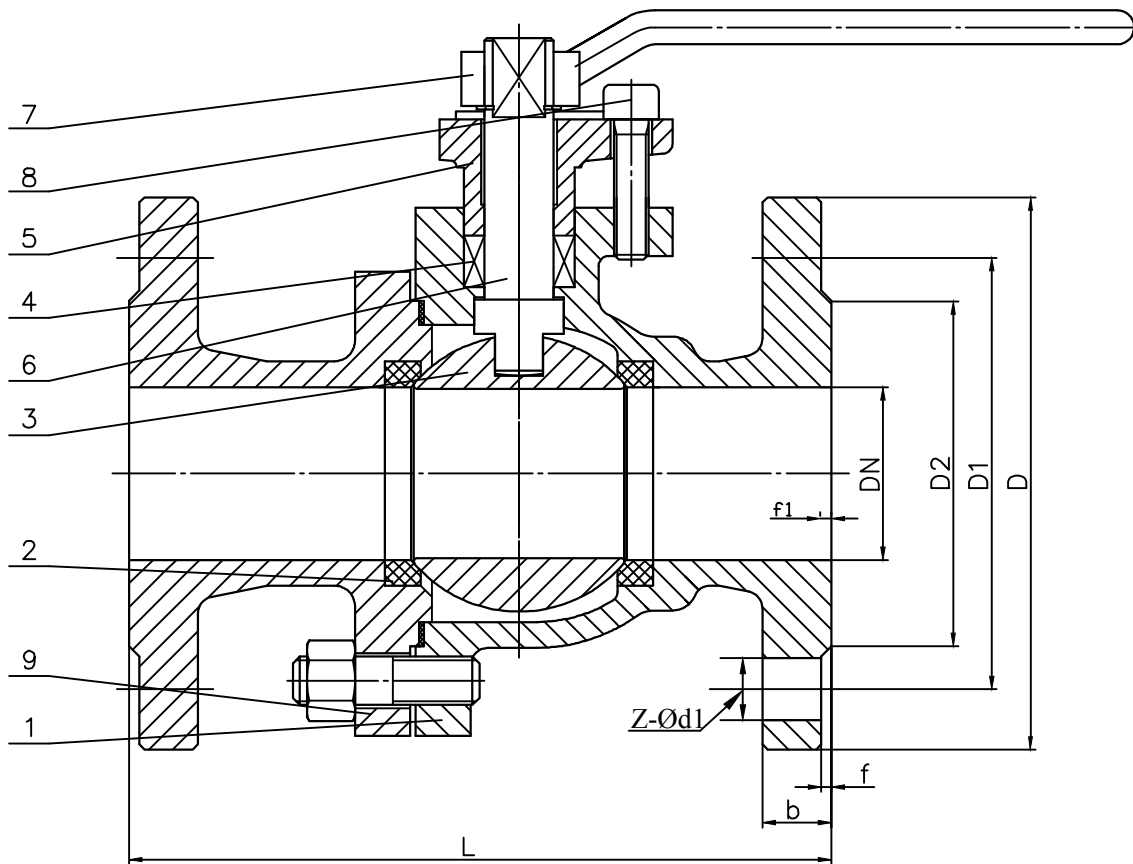
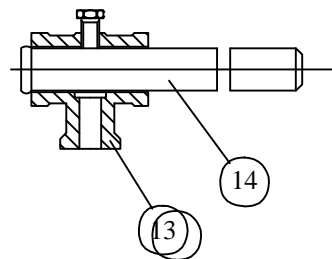


Dn125,Dn150,Dn200



**CARACTERISTICI TEHNICE:**

Presiune nominala: 64[bar]  
 Diametrul nominal:15-150[mm]  
 Temperatura de lucru:-29°C....+180°C  
 Actionare:manuala cu levier

TESTE HIDRAULICE(bari)		
PN	REZISTENTE	ETANSARE
64	102	70

DN	L	D	D1	D2	H	b	ZxØd1
15	130	105	75	45	-	20	4xØ14
20	150	130	90	58	-	22	4xØ18
25	160	140	100	68	-	24	4xØ18
32	180	155	110	78	-	24	4xØ22
40	200	170	125	88	105	26	4xØ22
50	230	180	135	102	130	26	4xØ22
65	290	205	160	122	175	26	8xØ22
80	310	215	170	138	175	28	8xØ22
100	350	250	200	162	230	30	8xØ26
125	400	295	240	188	255	34	8xØ30
150	450	345	280	218	305	36	8xØ33

**LIMITE DE UTILIZARE**

Apa rece  
 Apa calda  
 Aburi  
 Produse petroliere  
 Alte fluide compatibile  
 cu materialele robinetului

**CONSTRUCTIE**

Dimensiuni de legatura:DIN2501/PN64  
 Lungimi conf:SR EN 558-1/ seria 28  
 Teste si inspectie de conform:API 598;DIN3230  
 Rezistenta:1.5xPN  
 Etanseitate:1.1xPN

11	Maner	Otel carbon Teava
10	Suport maner	Otel carbon GP240GH(EN10213-1)
9	Capac	Otel carbon GP240GH(EN10213-1)
8	Bolt	Otel carbon A193Gr.B7
7	Maner	Otel carbon GP240GH(EN10213-1)
6	Tija	Otel Inox X10Cr13
5	Presetupa	Otel carbon GP240GH(EN10213-1)
4	Pachet de garnituri	PTFE
3	Sfera	Otel Inox X5CrNi 18.10
2	Inel etansare	PTFE
1	Corp principal	Otel carbon GP240GH(EN10213-1)
REP	DENUMIRE	MATERIAL

<b>Desenat:</b> <b>F.I.V.</b>	<b>ROBINET CU OBTURATOR SFERIC</b>		<b>Verificat:</b> <b>S.S</b>	
	<b>OTEL</b>	<b>ACTIONAT CU LEVIER</b>		<b>NUME FISIER:</b> <b>Fig.9.17</b>
	<b>DN 15-150</b>	<b>PN 64</b>		
<b>EUDIS VALVES</b>	<b>EUDIS S.A</b>		<b>Fig.9.17</b>	

We reserve the right to make such alterations in design, dimensions, specifications, and manufacture as are deemed necessary to ensure continue improvement.